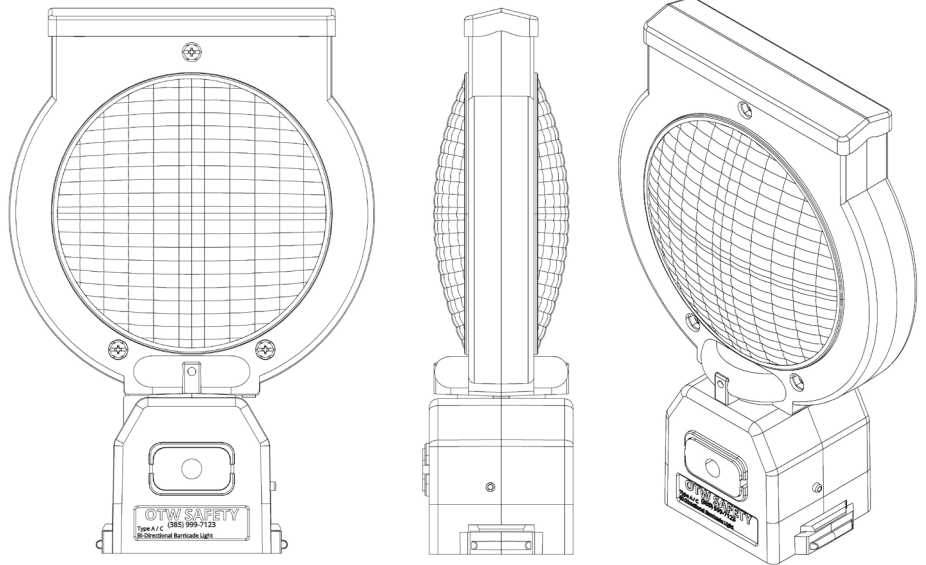


## Bi-Directional Barricade Light Type A / C

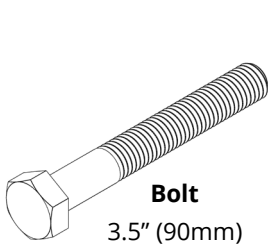
- BDL-AC-Y (yellow lens)
- BDL-AC-R (red lens)

### TOOLS NEEDED:

3/4" (19mm) Wrench / Socket Wrench

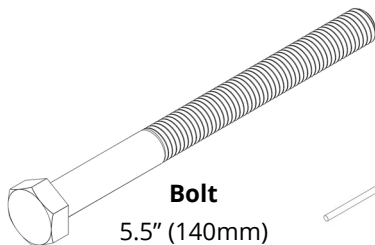


## PARTS



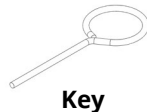
**Bolt**

3.5" (90mm)

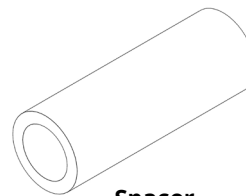


**Bolt**

5.5" (140mm)

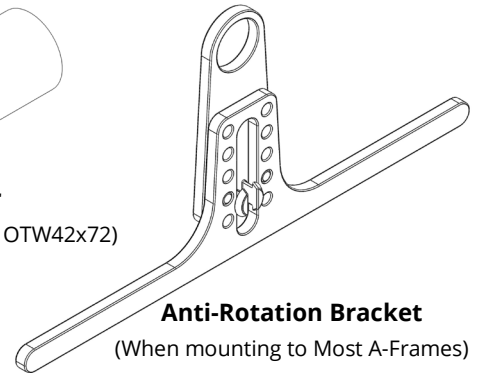


**Key**



**Spacer**

(When mounting to OTW42x72)



**Anti-Rotation Bracket**

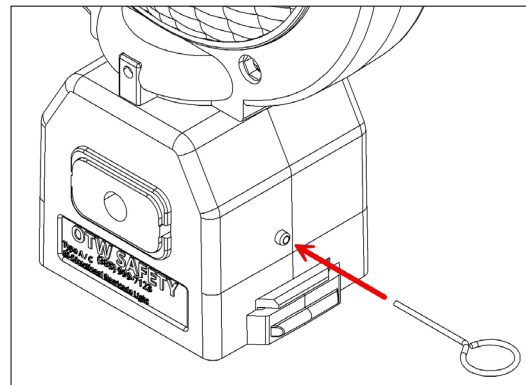
(When mounting to Most A-Frames)

## OPERATION

### LIGHT MODE SWITCHING

(3-WAY SWITCH: Flashing, Steady, Off)

1. Insert key into side hole
2. 1<sup>st</sup> key press to turn light to flashing mode
3. 2<sup>nd</sup> key press to turn light to steady mode
4. 3<sup>rd</sup> key press to turn light back to off mode



### IMPORTANT FIRST TIME USE NOTE:

- While in flashing or steady mode, the photoelectric control automatically activates the light during low light conditions.
- Place Bi-Directional Barricade Light outside for 1 day to allow the battery to fully charge.
- When switching light modes during the day, completely cover the solar panel and insert the key into side hole to cycle through the three options, Flashing, Steady, Off.

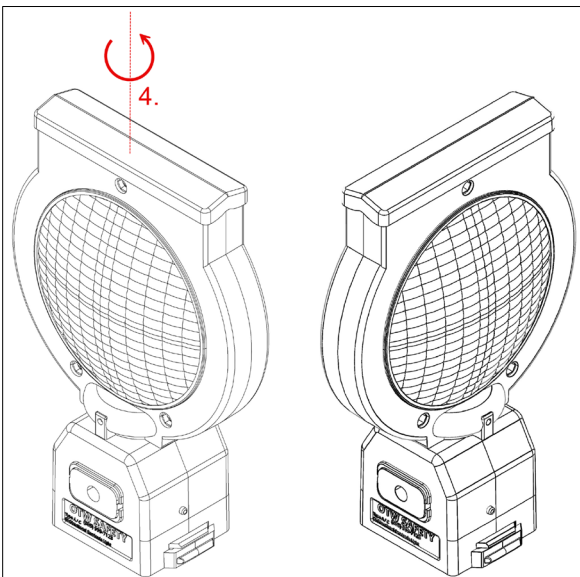
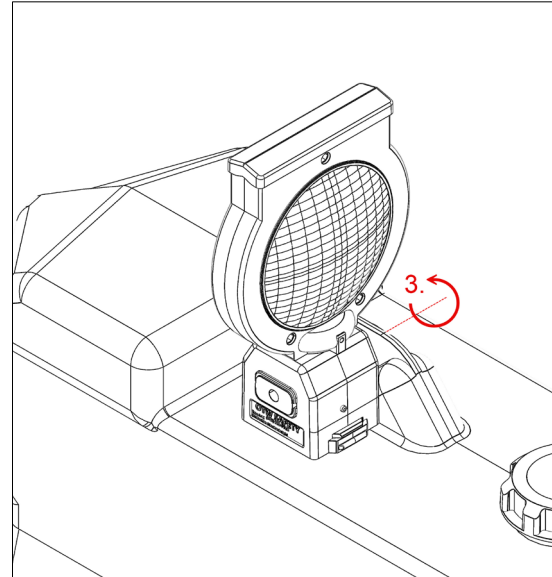
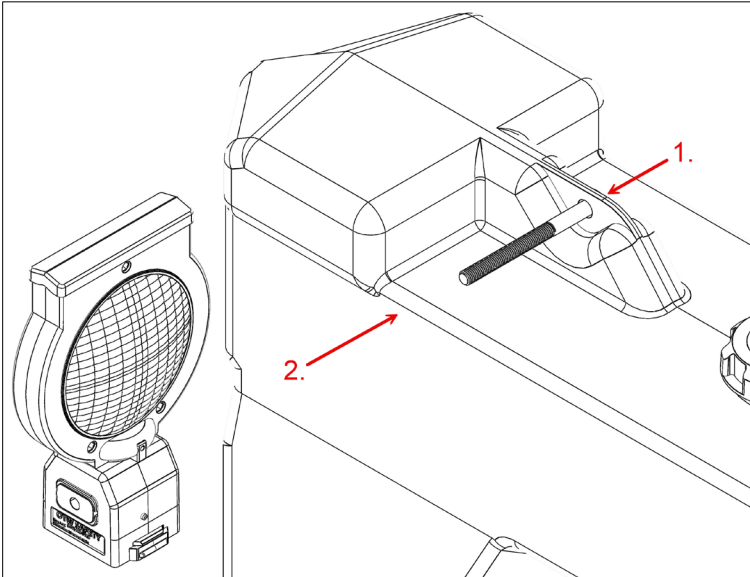
Please call us at (801) 363-7740 with any operational questions.

## ASSEMBLY

### STANDARD MOUNTING (OTW32x45)

PARTS NEEDED: 3.5" (90mm) Bolt, Light

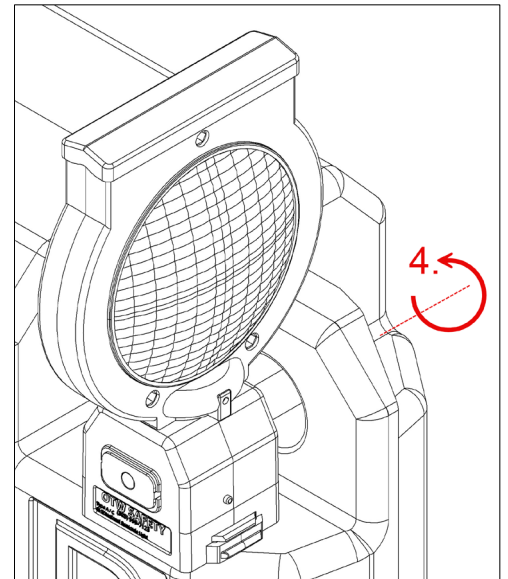
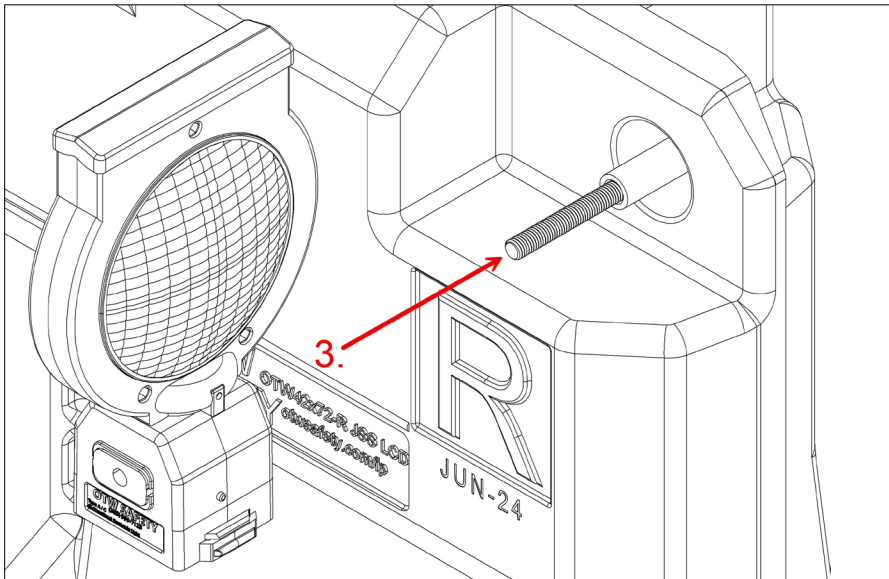
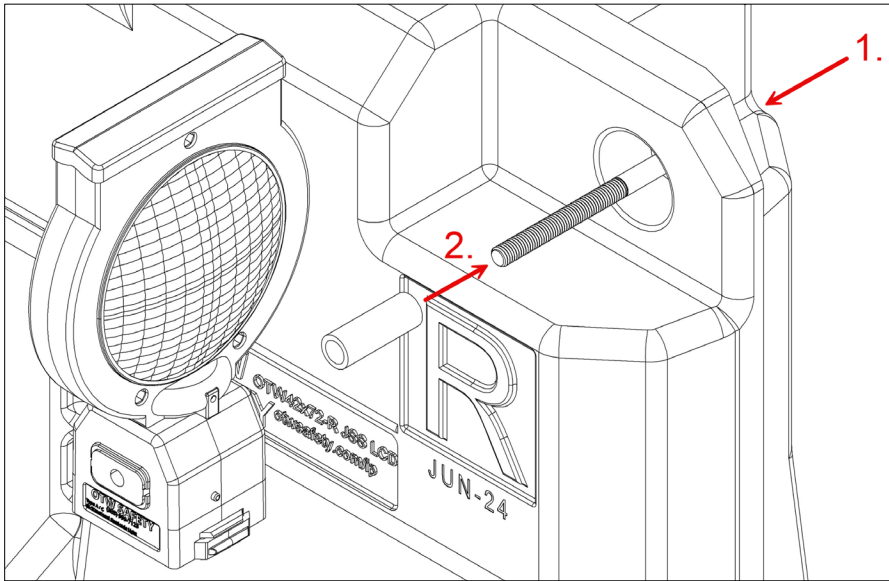
1. Insert 3.5" (90mm) bolt through barricade mounting hole
2. Slide light over end of bolt
3. Tighten bolt until light is secure
4. Rotate lens up to 90 degrees as needed



## MOUNTING TO OTW42x72

PARTS NEEDED: 5.5" (140mm) Bolt, Spacer, Light

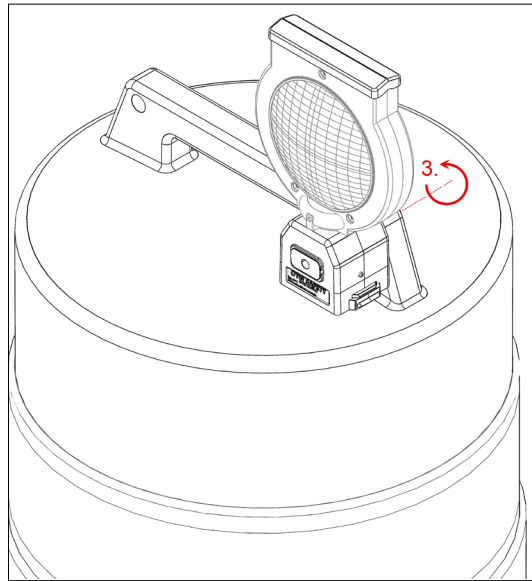
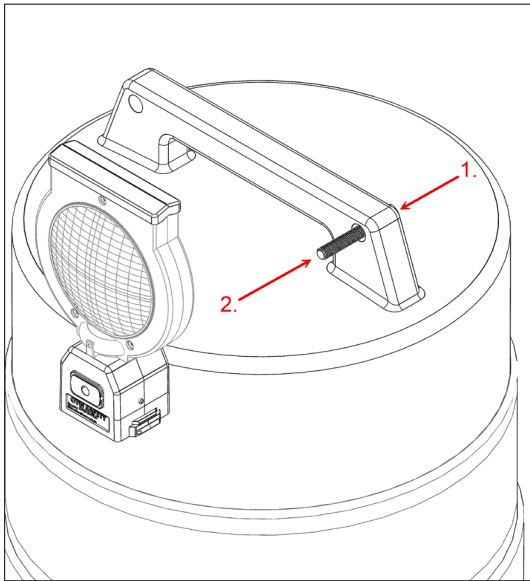
1. Insert 5.5" (140mm) bolt through barricade mounting hole
2. Slide spacer over end of bolt
3. Slide light over end of bolt
4. Tighten bolt until light is secure



## MOUNTING TO MOST TRAFFIC DRUMS

PARTS NEEDED: 3.5" (90mm) Bolt, Light

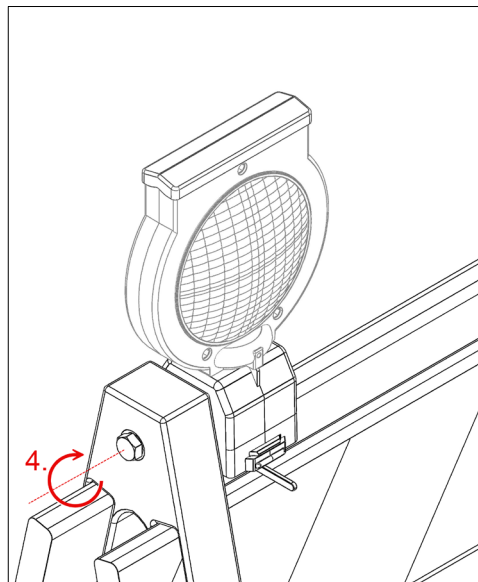
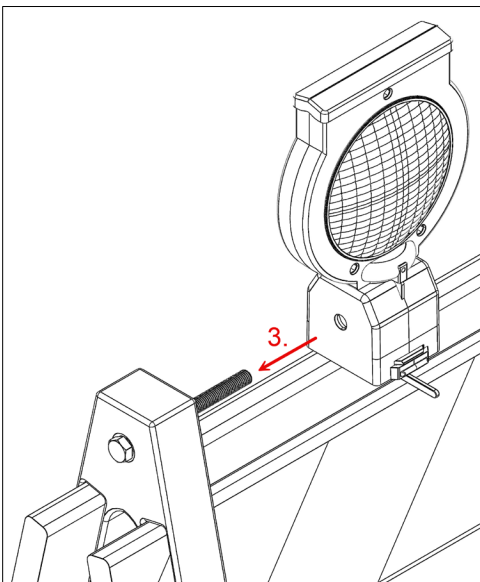
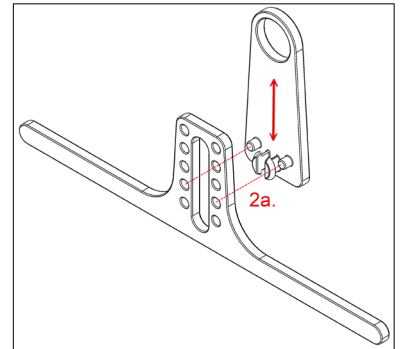
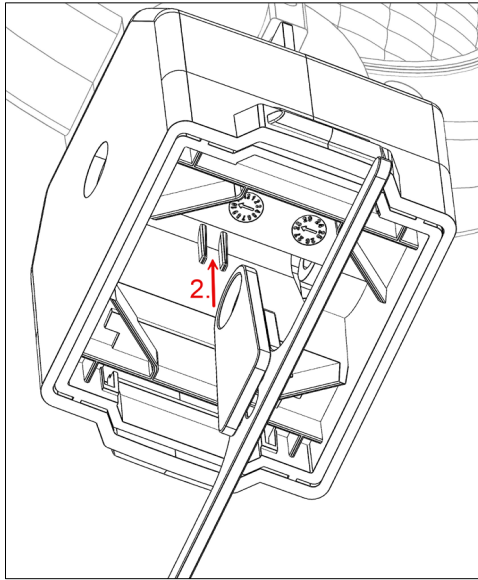
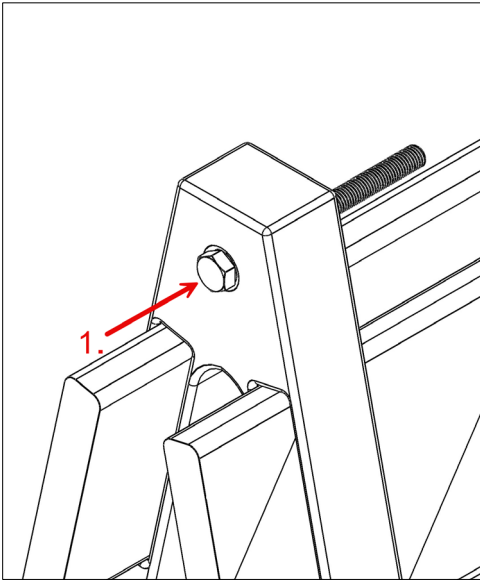
1. Insert 3.5" (90mm) bolt through drum mounting hole
2. Slide light over end of bolt
3. Tighten bolt until light is secure
4. Rotate lens up to 90 degrees as needed



## MOUNTING TO MOST A-FRAMES

PARTS NEEDED: 3.5" (90mm) Bolt, Anti-Rotational Bracket, Light

1. Insert 3.5" (90mm) bolt through a-frame mounting hole
2. Insert anti-rotation bracket into bottom of light base between notches
  - a. The height of the anti-rotation bracket can be adjusted by 1/4" increments as needed
3. Slide light and anti-rotation bracket over end of bolt
4. Tighten bolt until light is secure



Please call us at (801) 363-7740 with any assembly or compatibility questions.