



# BARRICADE FENCE PANEL

## OVERVIEW & SPECIFICATIONS



**OTW SAFETY**

[otwsafety.com](https://otwsafety.com)

# BARRICADE FENCE PANEL

## OVERVIEW & SPECIFICATIONS – BFP-60x72-ST

Add extra security and privacy with our newly redesigned galvanized steel Barricade Fence Panel, designed to integrate with both of our 42" high Jersey shape barricades as well as our JSS 32" barricades.

The frame and posts are made with 1 3/8" galvanized pipe and the post supports are made of robust 1 5/8" galvanized pipe. Barricade mounting posts are stored inside the post supports for shipping and are easily deployed for simple installation onto the barricades. Once installed, the fence panel will add an additional 52.5" above the 42" tall barricade creating an overall height of 8' 8.5".

Fence panels are typically used when a construction site borders traffic or pedestrian causeways. If debris or privacy are concerns, mesh fabric can be added to create a more pleasing appearance. Additionally, we offer gate adapter options for both pedestrian and vehicle access. Because the fence panel integrates with our standard construction and TL-3 rated traffic barricades, these are useful in many situations. We can help you decide which combination of products is right for your situation.



## FEATURES & BENEFITS

- Adds security and privacy
- Newly redesigned for ease of installation, improved durability and enhanced fit/finish.
- Integrates with OTW 42x72 LCD, JSS-42x72
- Stands 8' 8.5" from the ground when installed on 42"
- Stands 7' 10.5" from the ground when installed on 32"

## SIZE

**Width of panel:** 70.5"

**Height of panel (not including post supports):** 62.5"

**Height of post supports:** 63.5"

**Height of posts:** 50"

## COMPOSITION

- Galvanized steel

## CUSTOMIZATION

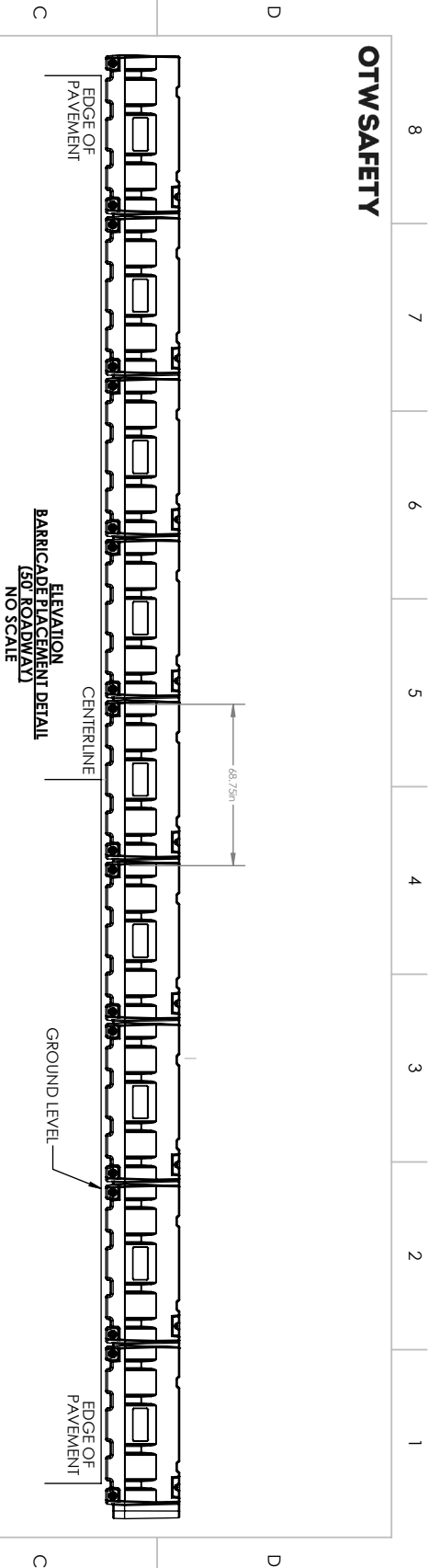
- Add privacy screens
- Add custom branded screens
- Add gate adapter option



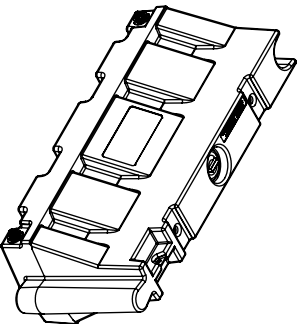
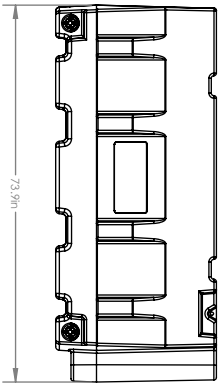
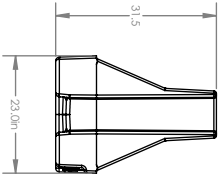
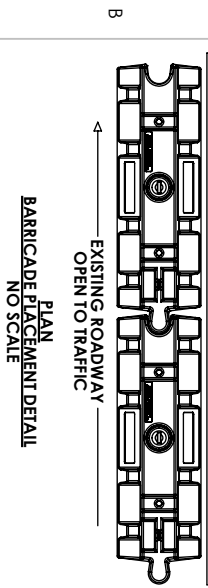
## OUR PROCUREMENT PROMISE

- ✓ **60-Day Price Lock:** We lock in your product and freight pricing for a full 60 days—we absorb the risk so you can plan with 100% certainty.
- ✓ **Fast Quote Guarantee:** Time is money on the job site. Submit your request by 4:00 PM MT, and we will have a formal quote in your inbox the same business day.
- ✓ **Real-Time Stock Verification:** Inventory moves fast. Call us at 888-363-7740 for an immediate, real-time stock check to ensure your project stays on schedule.

**OTW SAFETY**



**WORK ZONE**



- NOTES:**
1. BARRICADE CONSTRUCTED OF HIGH-IMPACT, UV-RESISTENT HIGH DENSITY POLYETHYLENE (HDPE)
  2. WHEN BALLASTED, WILL REMAIN IN PLACE UNAFFECTED BY SURFACE WINDS
  3. INTERLOCKING SYSTEM, NO EXTRA HARDWARE REQUIRED
  4. MEETS FEDERAL HIGHWAY ADMINISTRATION (FHWA) CRASHWORTHINESS STANDARDS
  5. BARRICADES SHALL BE PLACED AS SHOWN UNLESS OTHERWISE DIRECTED BY THE RESIDENT ENGINEER
  6. ONE-YEAR MANUFACTURING DEFECT WARRANTY

8 7 6 5 4 3 2 1

SIZE:	DWG. NO.	REV:
B	JSS32X72 Work Zone	A