



32" MULTI-PURPOSE PLASTIC JERSEY BARRICADE

OVERVIEW & SPECIFICATIONS



OTW SAFETY

otwsafety.com

32" JERSEY BARRICADE

OVERVIEW & SPECIFICATIONS

The MB32x72 JSS barricade provides robust dependability for nearly every application. Leveraging the strengths of rotational molding, this barricade has exceptional environmental durability and has been successfully deployed to locations such as northern Alaska and parts of Canada, withstanding severe weather conditions. These parts have been used all over the world, in every possible scenario, and consistently exceed expectations.

Ideal for use in low-speed construction zones, temporary or semi-permanent security applications, and for hazard identification, this is the true workhorse of our barricade line. We offer a variety of heights and weights in order to perfectly match your requirements.

FEATURES & BENEFITS

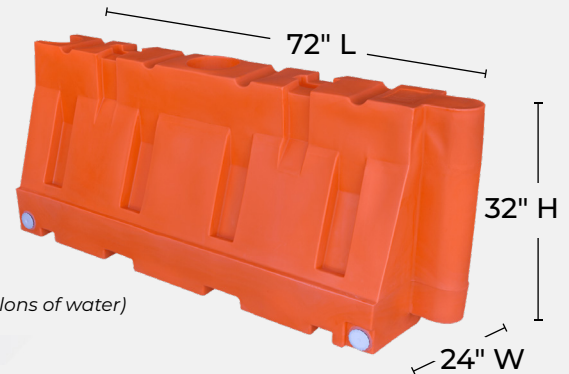
- Exceptional environmental durability
- Multi-purpose
- Manufactured in approved OSHA orange
- Can be ballasted with water or sand



ENGINEERING & COMPLIANCE SUMMARY

Composition	Rotationally-molded Linear Low Density Polyethylene (LLDPE).
Dimensions	32" H x 72" L x 24" W
Weight	Standard Empty: 64 lb / 29 kg Full: Apprx 900 lb / 3406.8 kg Heavy Duty Empty: 100 lb / 45.4 kg Full: Apprx 925 lb / 3501.5 kg
Material	100% Recyclable UV-Resistant HDPE
Warranty	One-Year Manufacturing Defect Warranty

**Max recommended water ballast is 100 gallons (weight calculation based on 100 standard US gallons of water)*



CUSTOMIZATION OPTIONS

Color Options

- Safety orange
- White
- Custom colors available

Optional Accessories

- High-intensity retroreflective sheeting on both sides
- Spin welds accommodate additional hazard lights

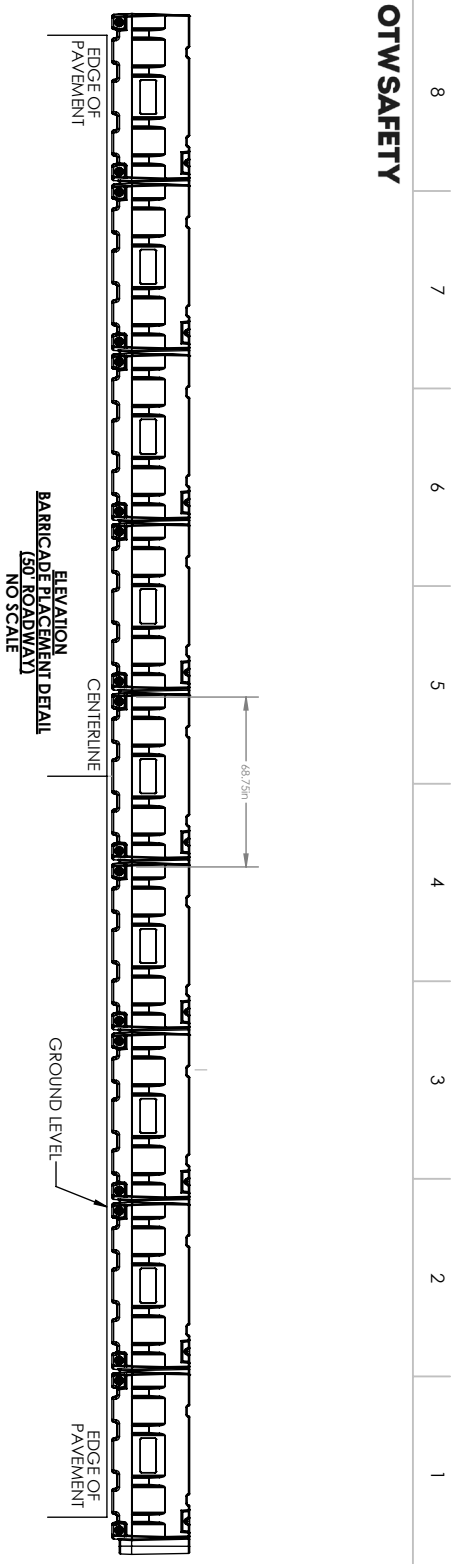
Pallet Loading

- **Dimensions:** 92.5" x 68.5" x 100"
- **Capacity:** 15 units

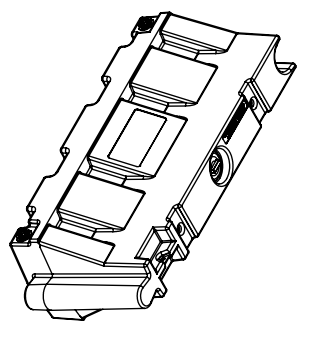
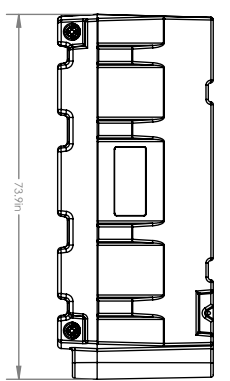
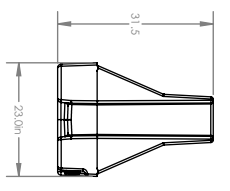
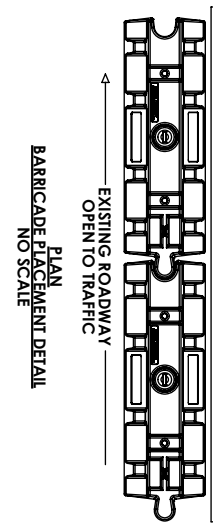
OUR PROCUREMENT PROMISE

- ✔ **60-Day Price Lock:** We lock in your product and freight pricing for a full 60 days—we absorb the risk so you can plan with 100% certainty.
- ✔ **Fast Quote Guarantee:** Time is money on the job site. Submit your request by 4:00 PM MT, and we will have a formal quote in your inbox the same business day.
- ✔ **Real-Time Stock Verification:** Inventory moves fast. Call us at 888-363-7740 for an immediate, real-time stock check to ensure your project stays on schedule.

OTW SAFETY



WORK ZONE



- NOTES:**
1. BARRICADE CONSTRUCTED OF HIGH-IMPACT, UV-RESISTENT HIGH DENSITY POLYETHYLENE (HDPE) WHEN BALL ASTED. WILL REMAIN IN PLACE UNAFFECTED BY SURFACE WINDS.
 2. INTERLOCKING SYSTEM, NO EXTRA HARDWARE REQUIRED.
 3. MEETS FEDERAL HIGHWAY ADMINISTRATION (FHWA) CRASHWORTHINESS STANDARDS.
 4. BARRICADES SHALL BE PLACED AS SHOWN UNLESS OTHERWISE DIRECTED BY THE RESIDENT ENGINEER.
 5. ONE-YEAR MANUFACTURING DEFECT WARRANTY.

8 7 6 5 4 3 2 1

SIZE:	DWG. NO.	REV:
B	JSS32X72 Work Zone	A